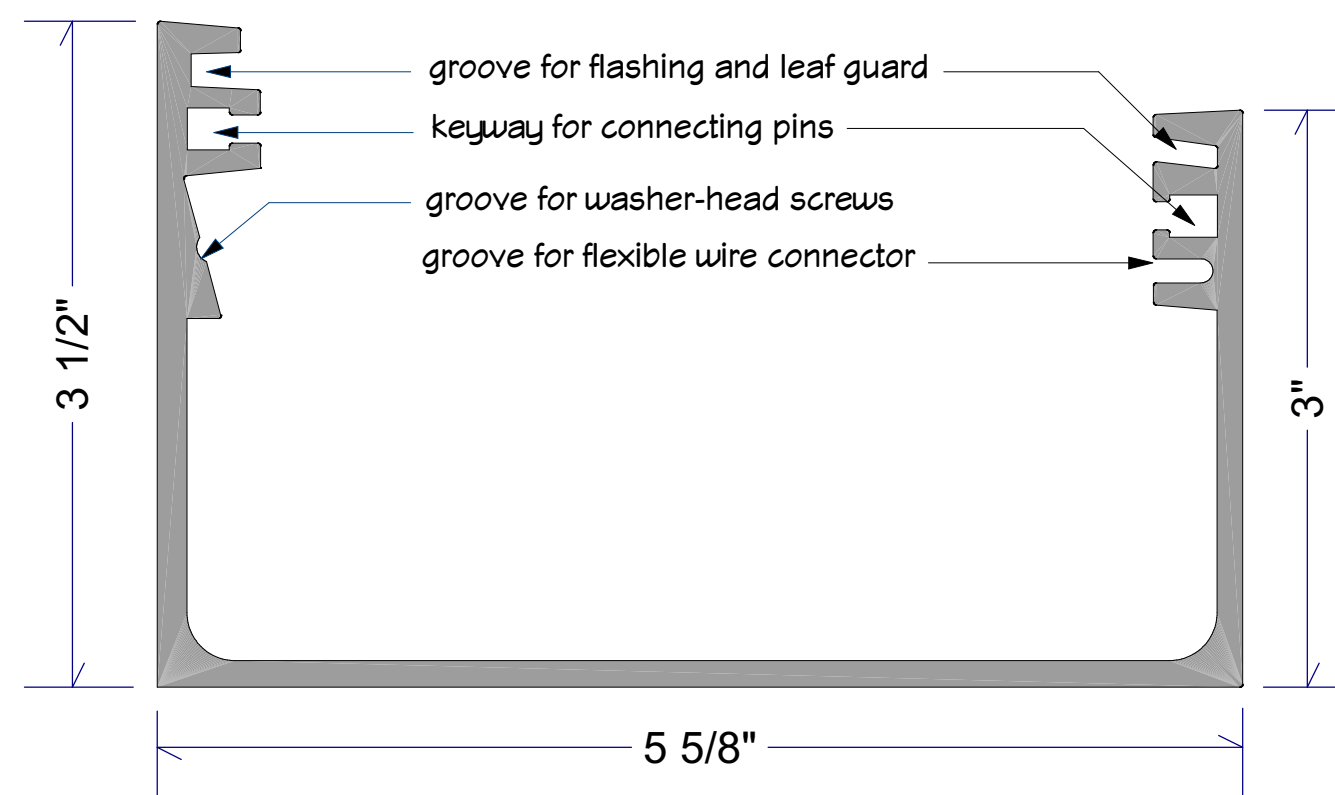
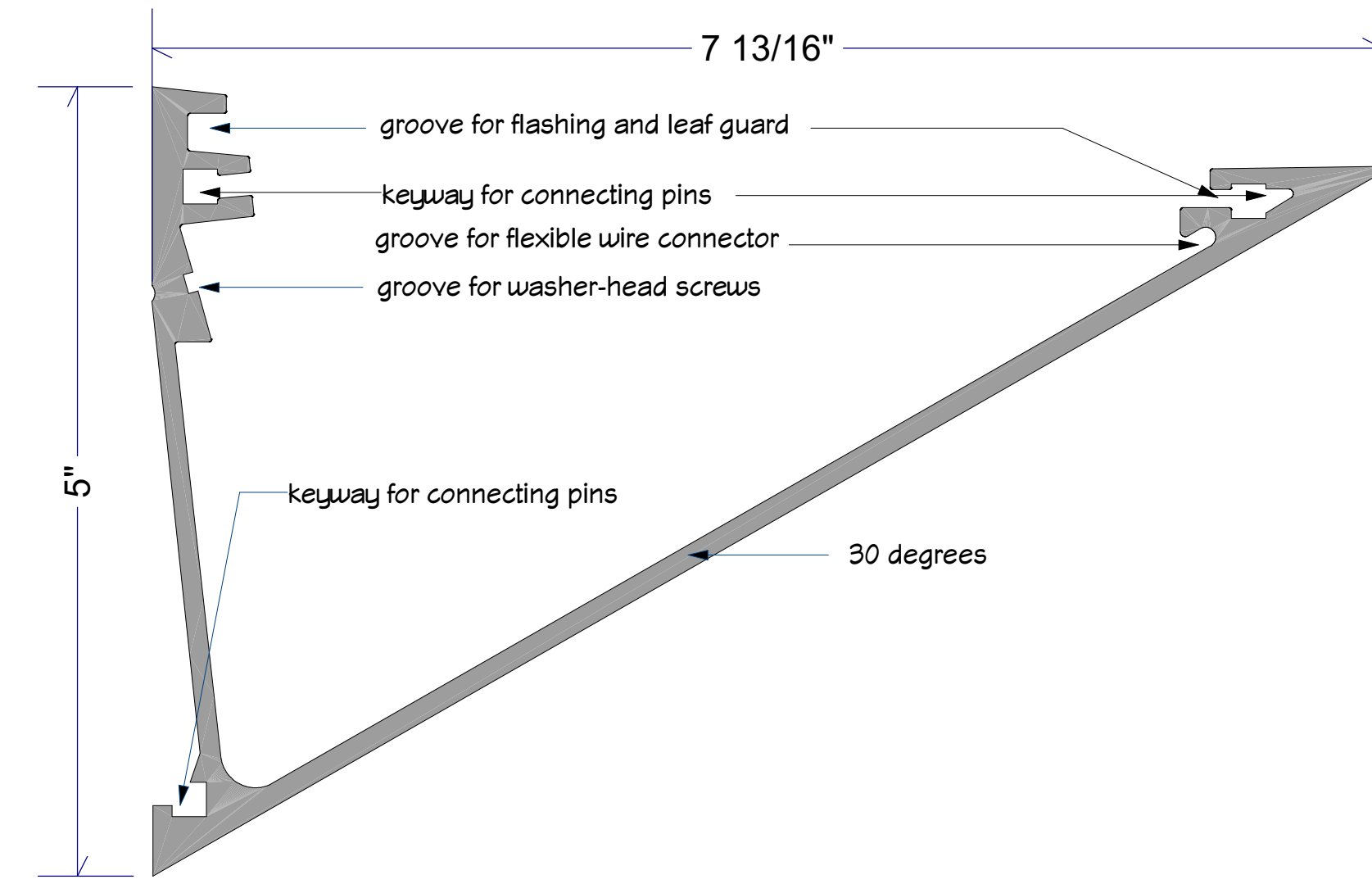


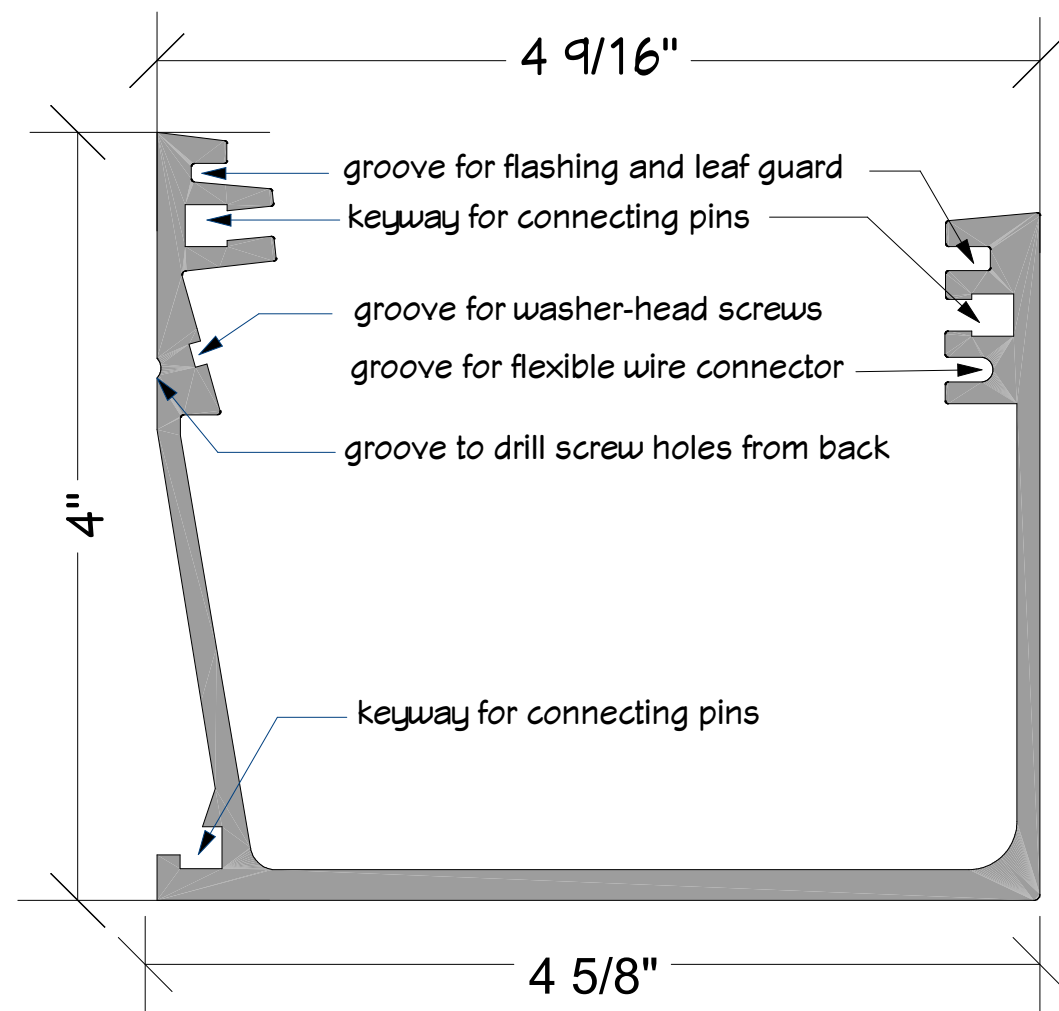
TR (TROUGH) PROFILE



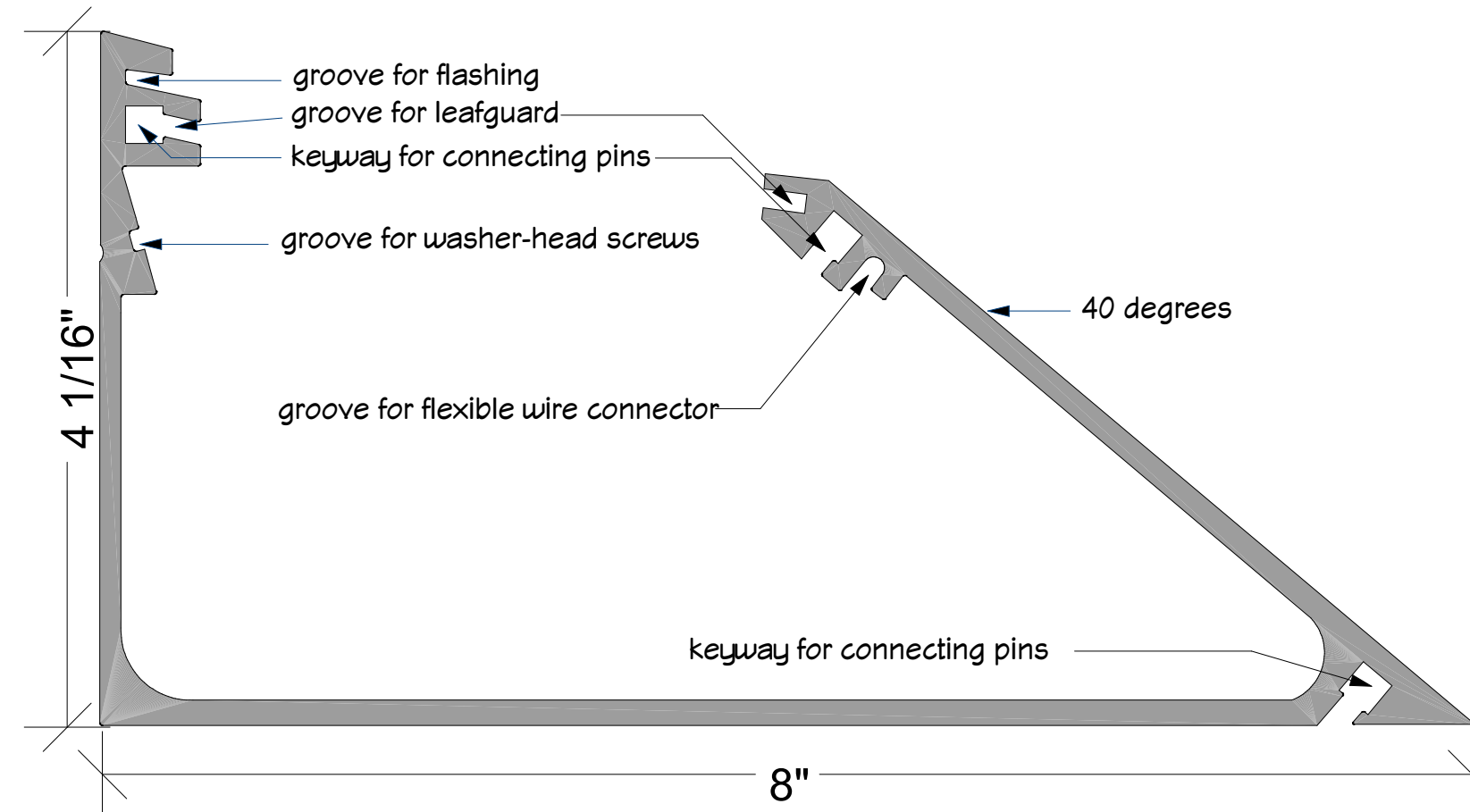
TL (THIN LINE) PROFILE



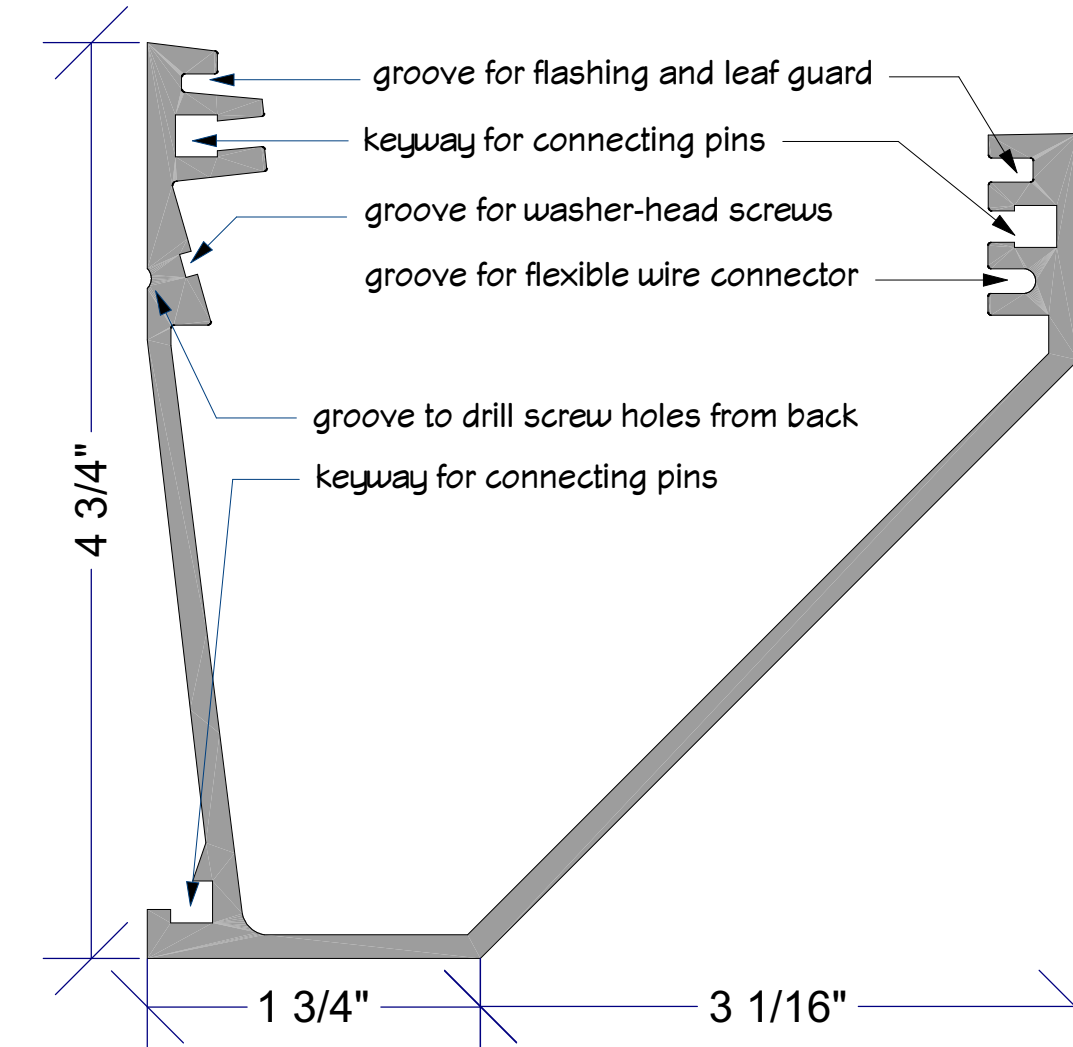
KE (KNIFE EDGE) PROFILE



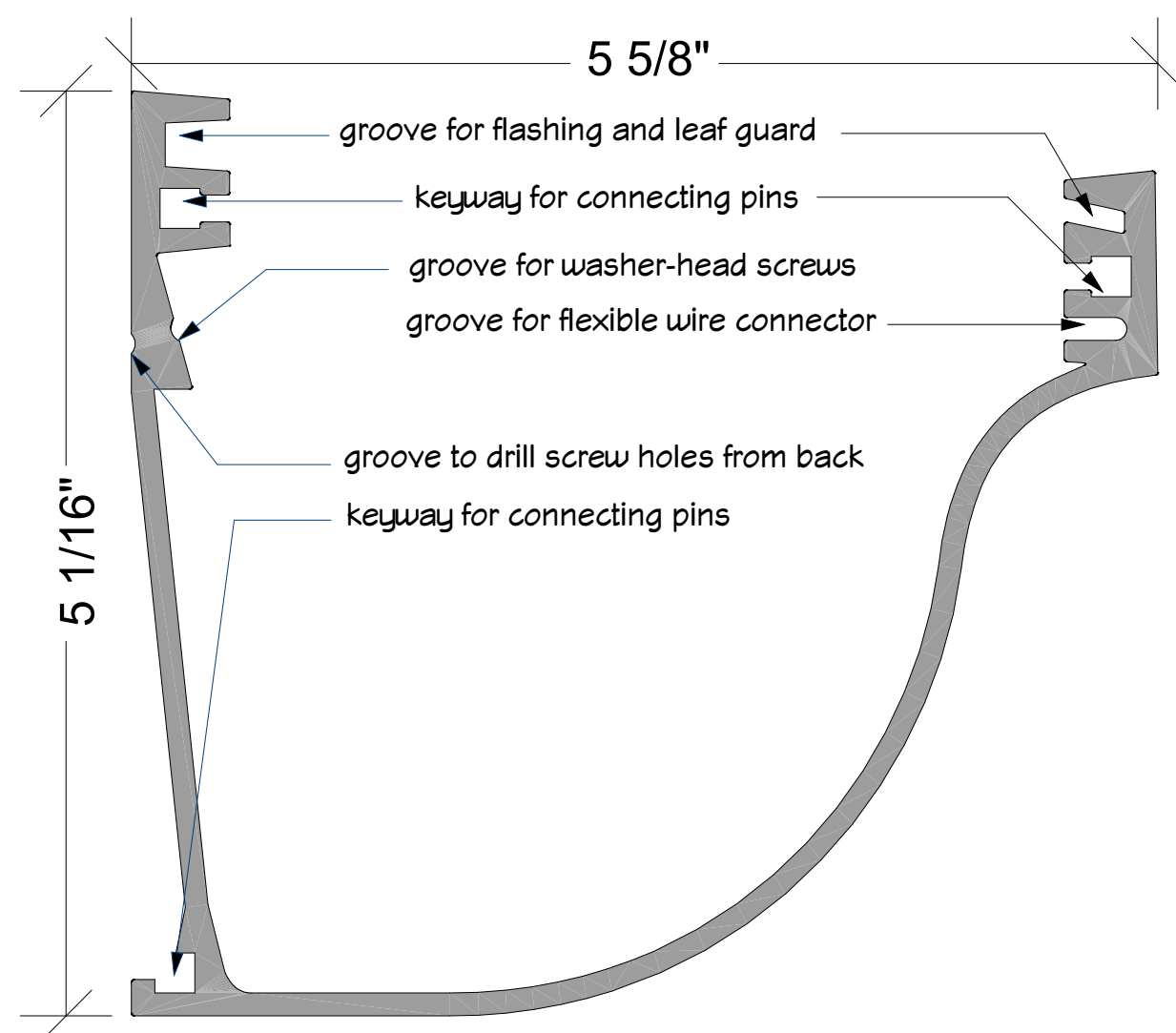
SQ (SQUARE) PROFILE



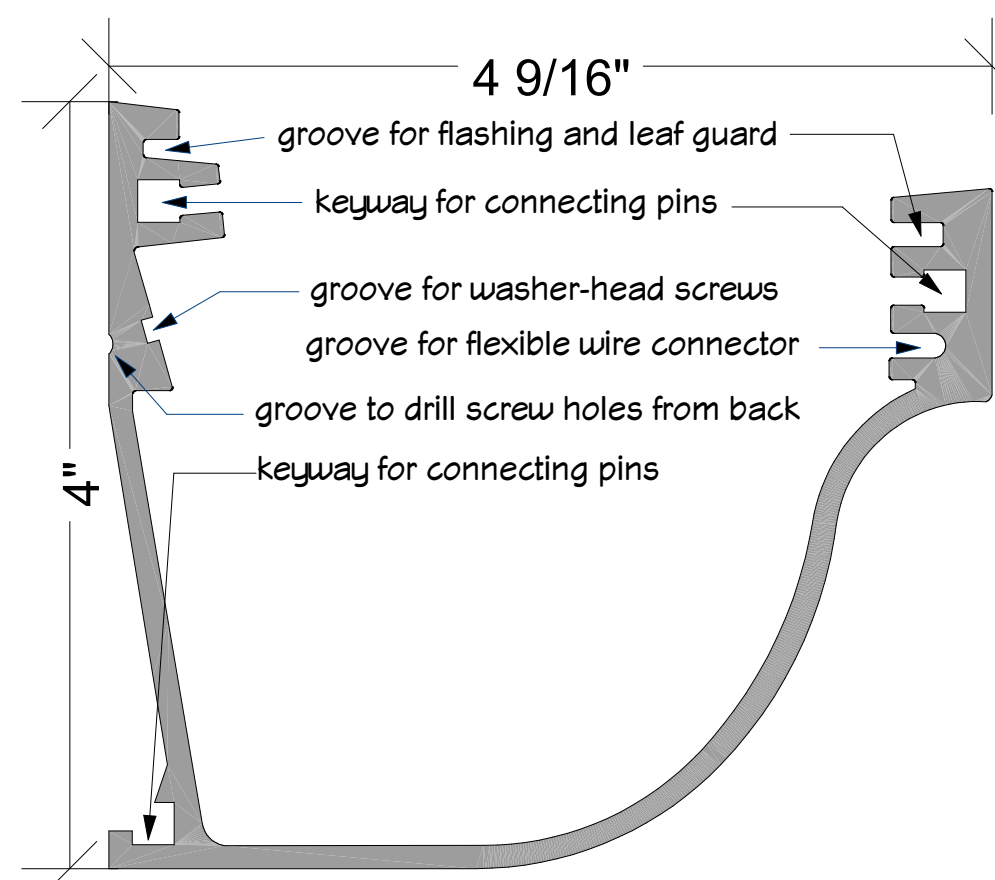
WG (WEDGE) PROFILE



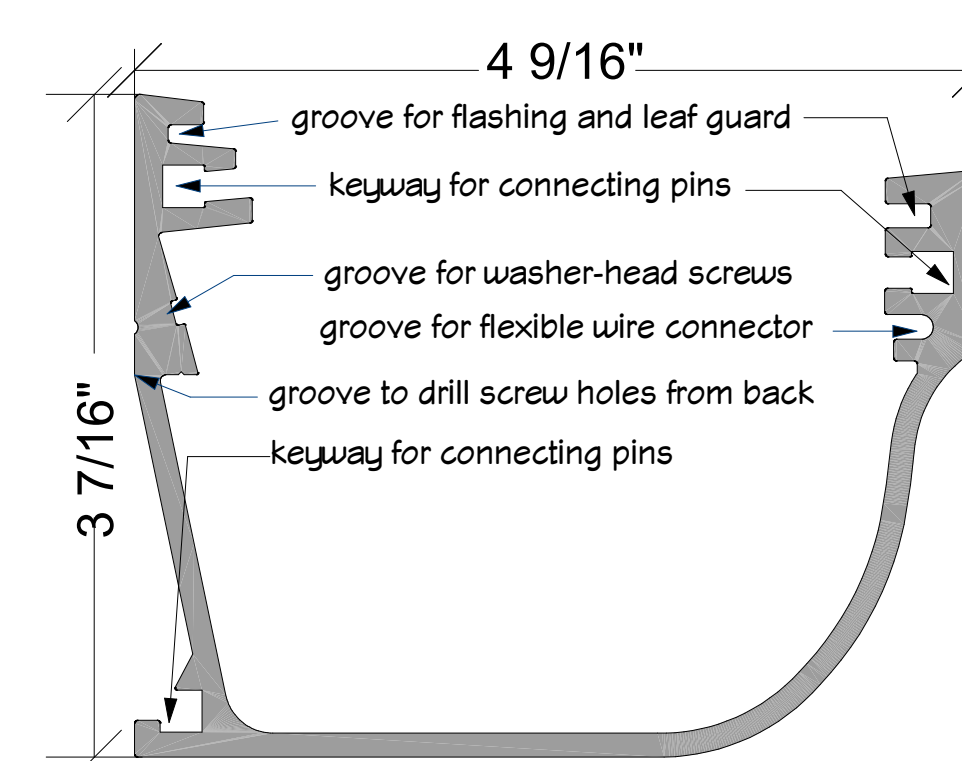
GR (GREEK) PROFILE



OG-6 (OGEE) PROFILE



OG-5 (OGEE) PROFILE



FB (FLAT BOTTOM) PROFILE